



## The Culligan® OFSY Series OMNI-FILTRATION SYSTEM

An adaptable, efficient solution for treating your high sediment waters.

The Culligan OFSY models offer a fully automated treatment process optimized to provide filtration of feed waters, particularly surface waters with suspended solids and high turbidity levels. The commercial models include a clarifier and filter in-series to provide eight different layers of filtering minerals to capture impurities. OFSYs come standard with Culligan's smart controller to automate most flow control operations. Our design allows for easy integration of different chemical feed systems for pretreatment operations (coagulation, flocculation, and chlorination, etc.)

The OFSY Series is a part of the Culligan® Commercial and Industrial Solutions that combine durable and efficient equipment, systems experience, and technical expertise to meet your unique requirements. From planning your systems to installing your water treatment equipment, Culligan® Commercial and Industrial Solutions offer options that help deliver the quality of water to meet your needs. Consult with a Culligan® representative to create your solution.

### Markets Served:

Clinics  
Educational Facilities  
Energy / Power  
Food / Beverage Production  
Food Service / Restaurants  
Grocery  
Healthcare / Hospitals / Bio-Pharmaceutical  
Hospitality / Lodging  
Manufacturing  
Municipal Drinking Water  
Oil / Gas

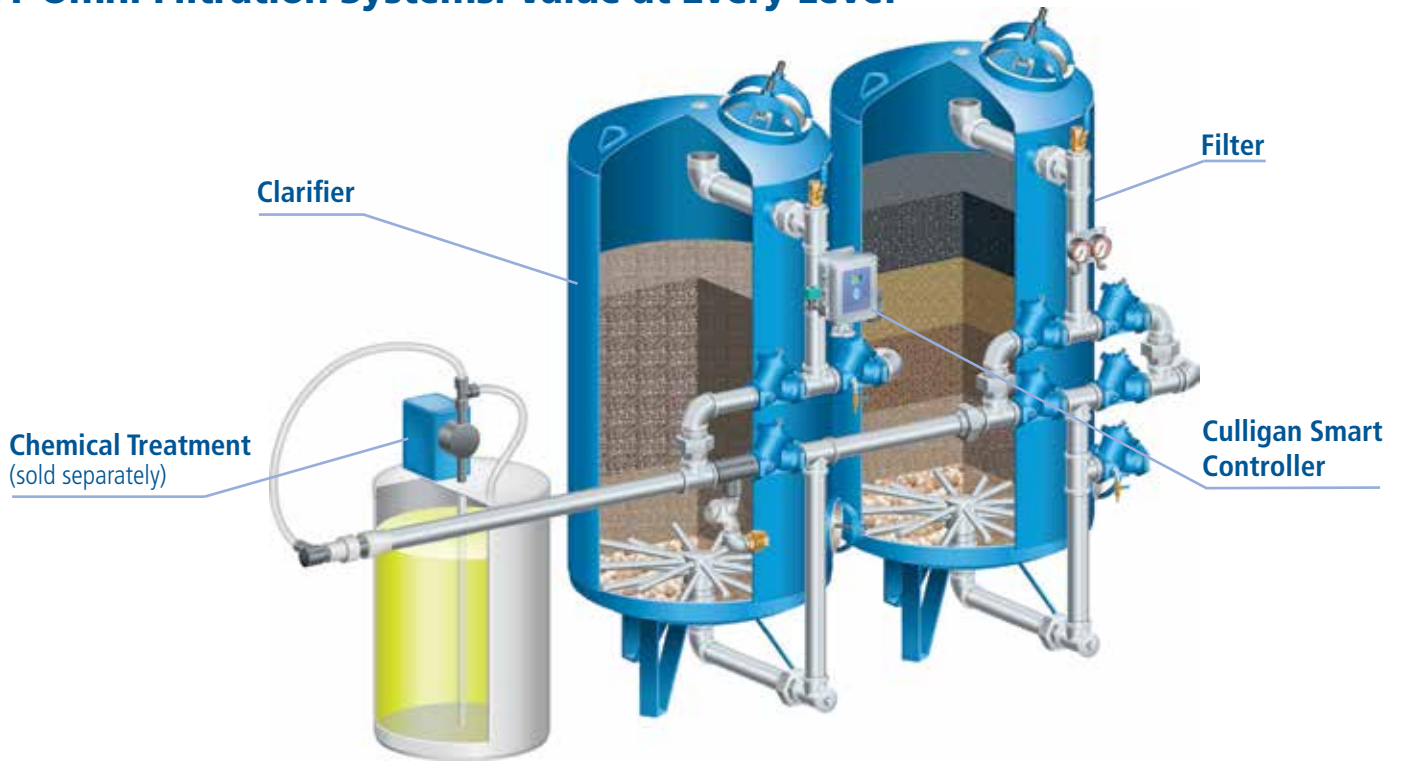
### CULLIGAN® COMMERCIAL & INDUSTRIAL ADVANTAGES:

- Simple System Integration
- Global Product Platform
- Flexible Configurations
- Quick Delivery / Easy Installation
- Exclusive Culligan® Advanced Electronics
  - Historical Operating Data
  - Alarm Recognitions
  - US Standard and Metric Readings
  - Remote Monitoring Options
  - Telemetry Options



**PRE-TREATMENT SOLUTIONS.**

# OFSY Omni-Filtration Systems: Value at Every Level



## Chemical Pre-Treatment

Every customer's source water is unique and Culligan® offers many different chemical treatment systems to assist in such things as coagulation and disinfection. Culligan® can help configure and modularize storage tanks, pumps, mixers, and other instrumentation for seamless integration with the OFSY models to help improve the end product water and operational efficiency.



## Clarifier

The closed, pressurized design of the clarifier improves the contact dynamics (flocculation) of the chemicals and contaminants lowering turbidity up to 90% in a fraction of the time required by an open clarifier. The tri-layer of media filtration in the tank gradually removes the large floc and prevents clogging the filter, which in turn promotes higher filtration velocities.



## Filter

The second tank polishes the water to a superior level of clarity by passing it through five different layers of Culligan® media decreasing in granule size from top to bottom. This allows for filtration of tannins, iron, manganese, and other metals from the water, without impeding the flow rates.



## Culligan® Smart Controller

OFSY models are shipped complete with a Culligan® electronic controller designed for easy reach and use by the installer. The controller is pre-programmed with service, backwash and conditioning modes that can be altered for different quantities and qualities of product water.



**PRE-TREATMENT SOLUTIONS.**

# SYSTEM SPECIFICATIONS

## Warranty

Culligan's OFSY models are backed by a limited 1-year warranty against defects in material, workmanship and corrosion. In addition, tanks carry a limited 5-year warranty.†

† See printed warranty for details. Culligan® will provide a copy of the warranty upon request.

## Examples of Filter Applications

- Pretreatment—For water softeners, reverse osmosis and deionization systems
- Drinking Water—Turbidity reduction, chlorine reduction, improves taste and clarity
- Boilers—Turbidity reduction, reduce sludge blowdown
- Office Buildings—For heating plant pretreatment, tenant convenience, general housekeeping
- Industrial Processes—Reduces particulate matter
- Vehicle Wash—Turbidity reduction
- Food and Beverage—Improved taste

## Standard Features

- Culligan's Smart Controller—More control over your equipment with programming and monitoring capabilities typically found in more expensive PLC controls, a variety of add-on options for advanced instrumentation and communication let you easily customize the system to help meet your needs
- Telemetric Capability
- Differential Pressure Switch
- Side-mounted, eight-valve harness, connects the clarifier and filter. Guided perimeter designed diaphragm valves operate smoothly, free of water hammer and are easily accessible for service work
- Flow rates up to 100 gpm

## Optional Features & Accessories

- ASME Code Tanks
- Stainless Steel Plumbing Harness
- Chemical Feed Systems
- Skid Mounted
- System can be configured for both same-source (factory-setting) and separate-source backwash
- Flow and turbidity measuring devices
- Gauge Packages
- Corrosion resistant tanks—Made of low carbon steel with epoxy interior lining and finish coat painted exterior
- Remote Display
- RS232, RS485, Modbus PLC Output

## System Specifications

Specification	US	Metric
Inlet Pressure (dynamic)	30–100 psig	207–690 kPa
Power Voltage Frequency Phase	120 Volts 50/60Hz	
Feed Water Temperature	40–120° F	4–49° C

1 120 Volt/ 24 Volt Cu/L/UL listed transformer included.

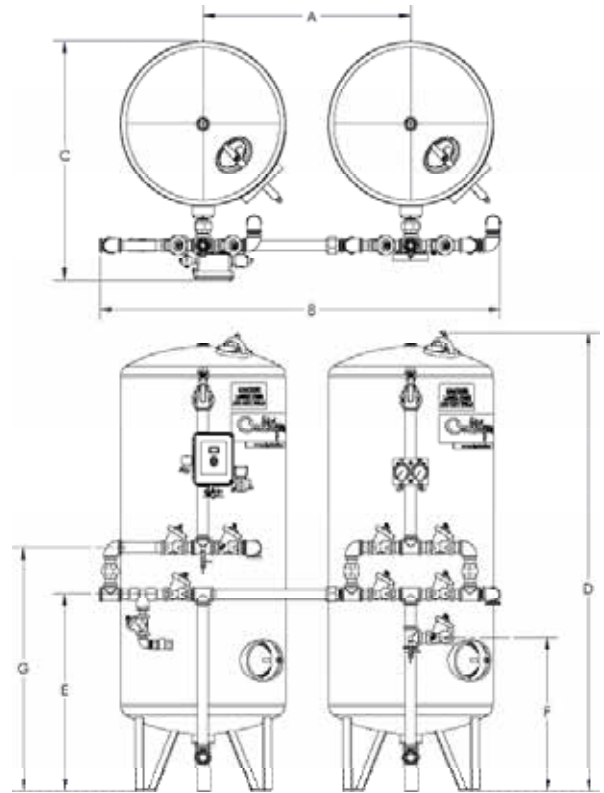
## OFSY Models

Model	Max. Service Flow gpm (m <sup>3</sup> /hr)	Pressure Drop @ Max. Service Flow psi (kPa)	Backwash Flow gpm (m <sup>3</sup> /hr)	Conditioning Rinse Flow gpm (m <sup>3</sup> /hr)	Inlet & Outlet
20" OFSY Filter System	20 (4.5)	7 (48)	30 (6.8)	15 (3.4)	1.5" NPT
24" OFSY Filter System	30 (6.8)	9 (62)	45 (10.2)	25 (5.7)	1.5" NPT
30" OFSY Filter System	40 (9.1)	10 (69)	70 (15.9)	25 (5.7)	1.5" NPT
36" OFSY Filter System	70 (15.9)	11 (76)	90 (20.5)	70 (15.9)	2.5" NPT
42" OFSY Filter System	100 (22.7)	10 (69)	136 (30.9)	70 (15.9)	2.5" NPT

Please contact the Culligan® Commercial and Industrial Solutions team for quotes on larger tank sizes, skid-mounted systems and other customized designs.  
Call 1-866-787-4293 or visit [www.culligan.com](http://www.culligan.com)

## System Dimensions

Model	Tank Spacing A inches (mm)	Width B inches (mm)	Depth C inches (mm)	Height D inches (mm)	Inlet Height E inches (mm)	Outlet Height F inches (mm)	Drain 1 Height G inches (mm)	Drain 2 Height H inches (mm)
20" OFSY Filter System	28 (711)	63 (1600)	33 (838)	70 (1778)	32 (813)	24 (610)	41 (1041)	32 (813)
24" OFSY Filter System	32 (813)	67 (1702)	37 (940)	72 (1829)	32 (813)	24 (610)	41 (1041)	32 (813)
30" OFSY Filter System	38 (965)	73 (1854)	44 (1118)	84 (2134)	36 (914)	28 (711)	45 (1143)	36 (914)
36" OFSY Filter System	44 (1118)	88 (2235)	53 (1346)	89 (2261)	40 (1016)	30 (762)	50 (1270)	40 (1016)
42" OFSY Filter System	52 (1321)	96 (2438)	59 (1499)	90 (2286)	40 (1016)	30 (762)	50 (1270)	40 (1016)



**PRE-TREATMENT SOLUTIONS.**

# GLOBAL EXPERTISE WITH CUSTOMIZED LOCAL SERVICE



## OVER 800 CULLIGAN® DEALERS IN MORE THAN 90 COUNTRIES

Algeria	Croatia	Guatemala	Kenya	Norway	Singapore	Thailand
Angola	Cyprus	Guine Bissau	Korea	Oman	Slovak Republic	Trinidad
Argentina	Czech Republic	Haiti	Kuwait	Pakistan	Slovenia	Tunisia
Australia	Dubai	Honduras	Laos	Panama	South Africa	Turkey
Austria	Ecuador	Hong Kong	Lativa	Peru	Spain	Turkish Republic
Bahamas	Egypt	Hungary	Lebanon	Philippines	Sri Lanka	of Northern
Belgium	El Salvador	Indonesia	Lithuania	Poland	St. Maarten NA	Cyprus
Belize	Estonia	Ireland	Malta	Portugal	St. Thomas	UK
Bermuda	Finland	Israel	Mexico	Puerto Rico	Sweden	Ukraine
Cambodia	France	Italy	Morocco	Qatar	Switzerland	USA
Canada	Germany	Jamaica	Mozambique	Romania	Tahiti	Venezuela
China	Greece	Japan	New Zealand	Saudi Arabia	Taiwan	Vietnam
Costa Rica	Guam	Jordan	Nigeria	Serbia	Tanzania	



[www.culligan.com](http://www.culligan.com) • 866-787-4293

### Finally, an end-to-end solution from a single source.

Place your commercial and industrial water treatment needs in the hands of a global leader.



For over 80 years, Culligan® has made better water. Our global network, comprised of 800+ dealers and international licensees in over 90 countries, is dedicated to addressing your water-related problems. As a worldwide leader in water treatment, our sales representatives and service technicians are familiar with the local water conditions in your area. Being global and local position us to deliver customized solutions to commercial and industrial water issues that affect your business and your bottom line.

All trademarks used herein are registered trademarks of Culligan International Company.

Products manufactured or marketed by Culligan and its affiliates are protected by patents issued or pending in the United States and other countries.

Culligan reserves the right to change the specifications referred to in this literature at any time, without prior notice.